



Magnetic Autocontrol GmbH

Grienmatt 20
D-79650 Schopfheim
Tel. 07622 695-5

Job number 5526,0051

Type ACCESS XXL/XL2-(UL)USA

MHTM - MicroDrive - ACCESS XXL/XL2- R/L C... 0 0

Number of pages 5

03	08.06.15	5K15503	gp	21.01.2013
02	25.11.14	5K14527	gp	Probst
01	17.06.14	5K14510	gp	
Version	Date	Modification project	Name	00 5K13500

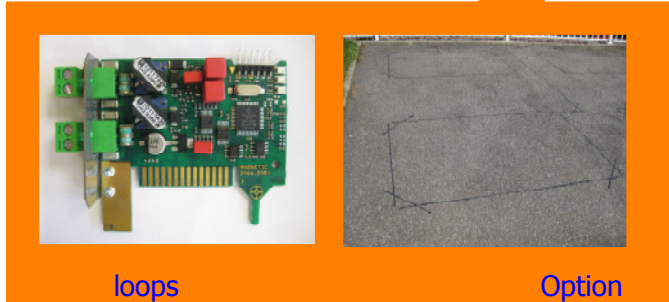
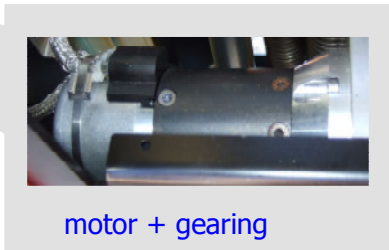
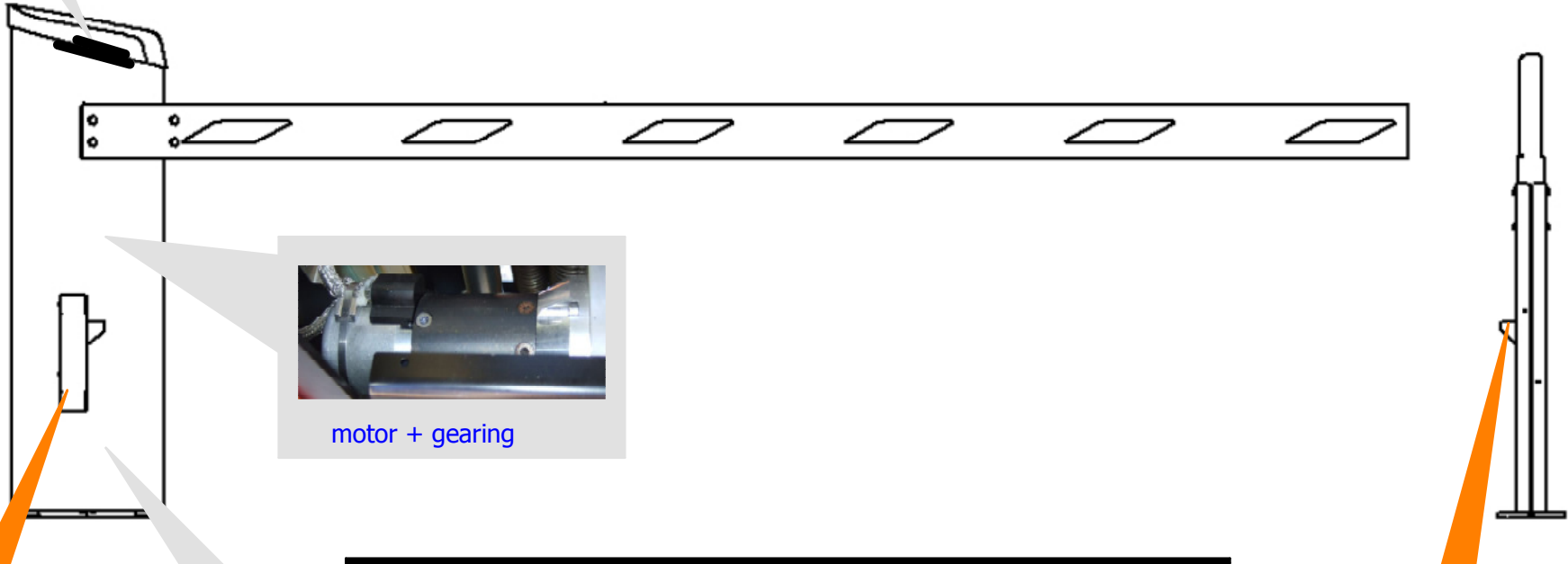
MicroDrive
ACCESS XXL/XL2-(UL)USA



Cover sheet

5526,0051

Page 1
of 5



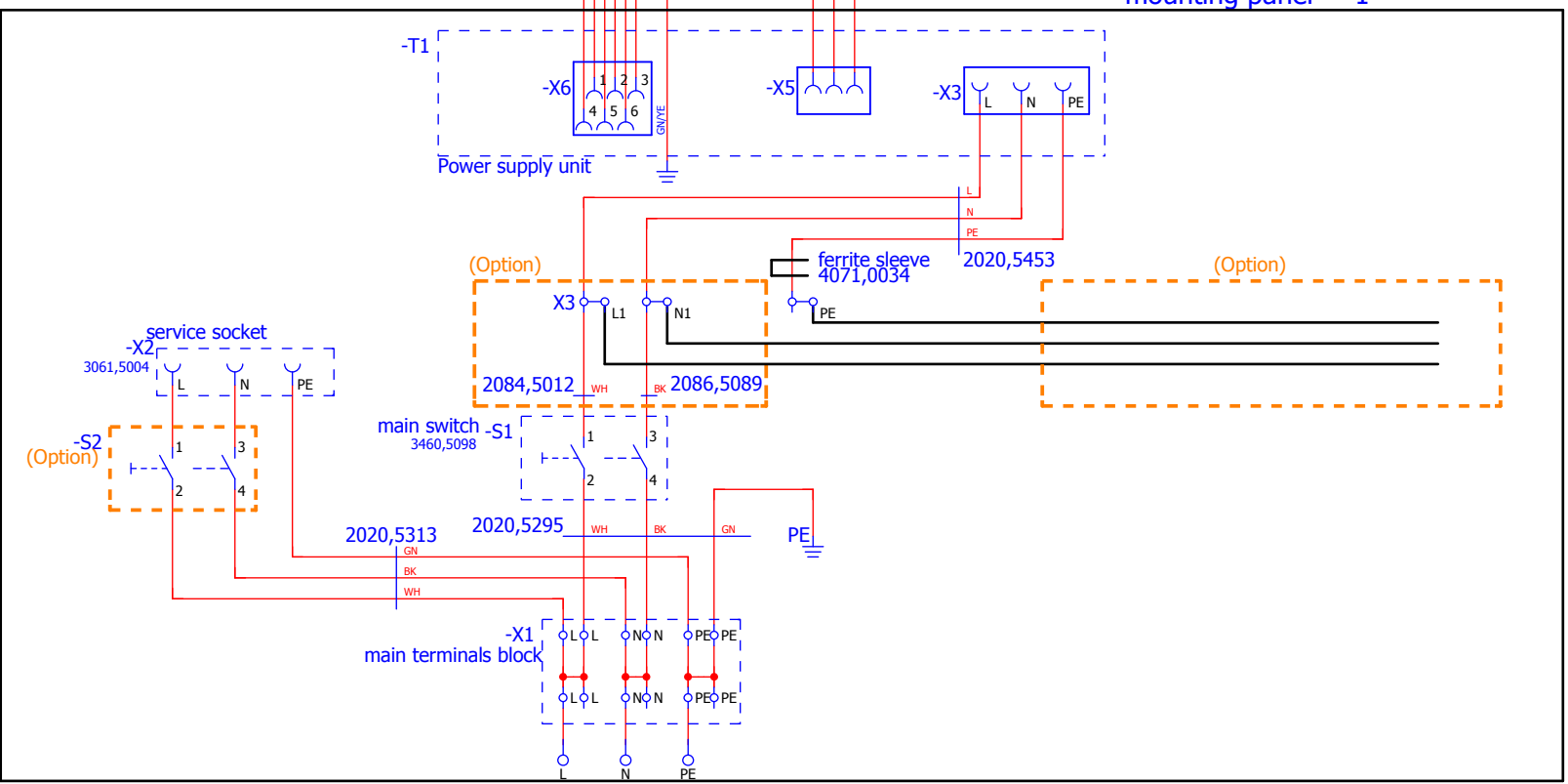
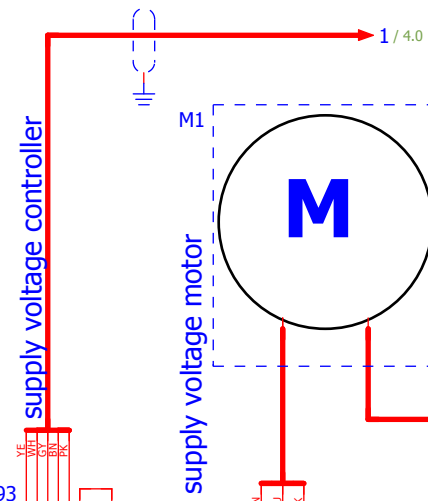
03	08.06.15	5K15503	gp	21.01.2013
02	25.11.14	5K14527	gp	Probst
01	17.06.14	5K14510	gp	
Version	Date	Modification project	Name	00 5K13500

MicroDrive
ACCESS XXL/XL2-(UL)USA



ACCESS XXL/XL2

		=
		+
	5526,0051	Page 2 of 5



85 - 264V AC 50/60Hz

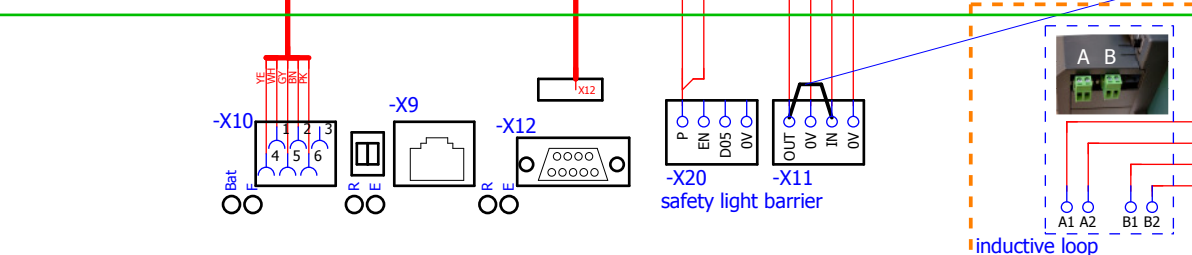
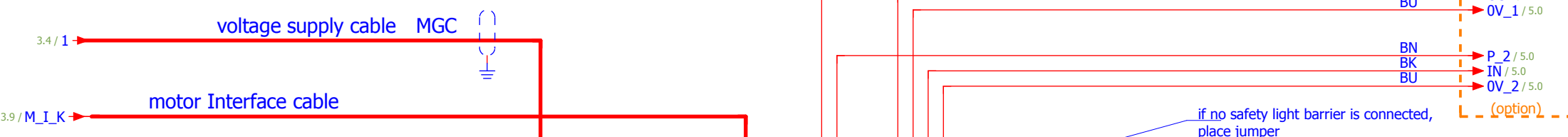
03	08.06.15	5K15503	gp	21.01.2013
02	25.11.14	5K14527	gp	Probst
01	17.06.14	5K14510	gp	
Version	Date	Modification project	Name	00 5K13500

MicroDrive
ACCESS XXL/XL2-(UL)USA

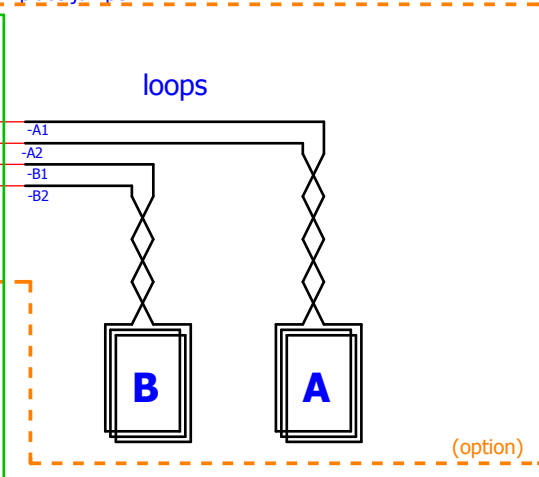


mains connection
Power supply unit

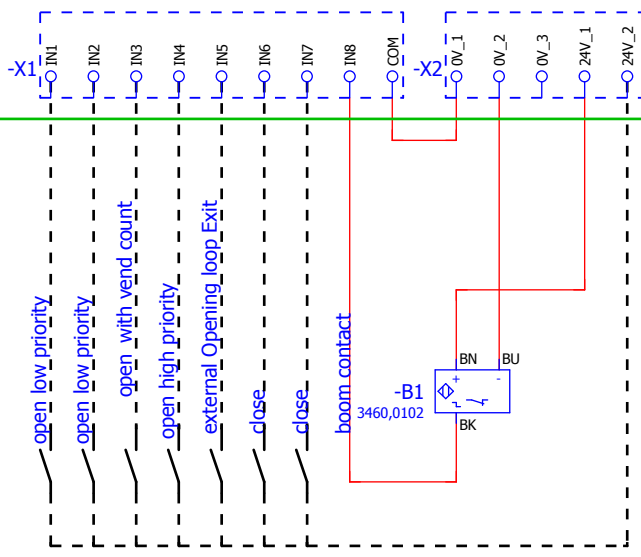
		=
		+
	5526,0051	Page 3
		of 5



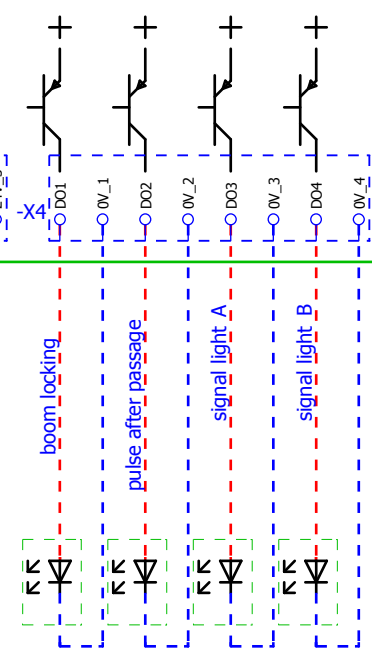
barrier controller MGC-Pro



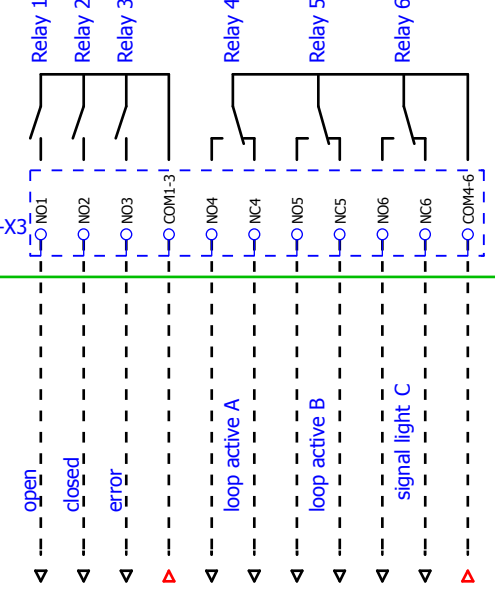
Inputs



Transistor Outputs



Relay Outputs



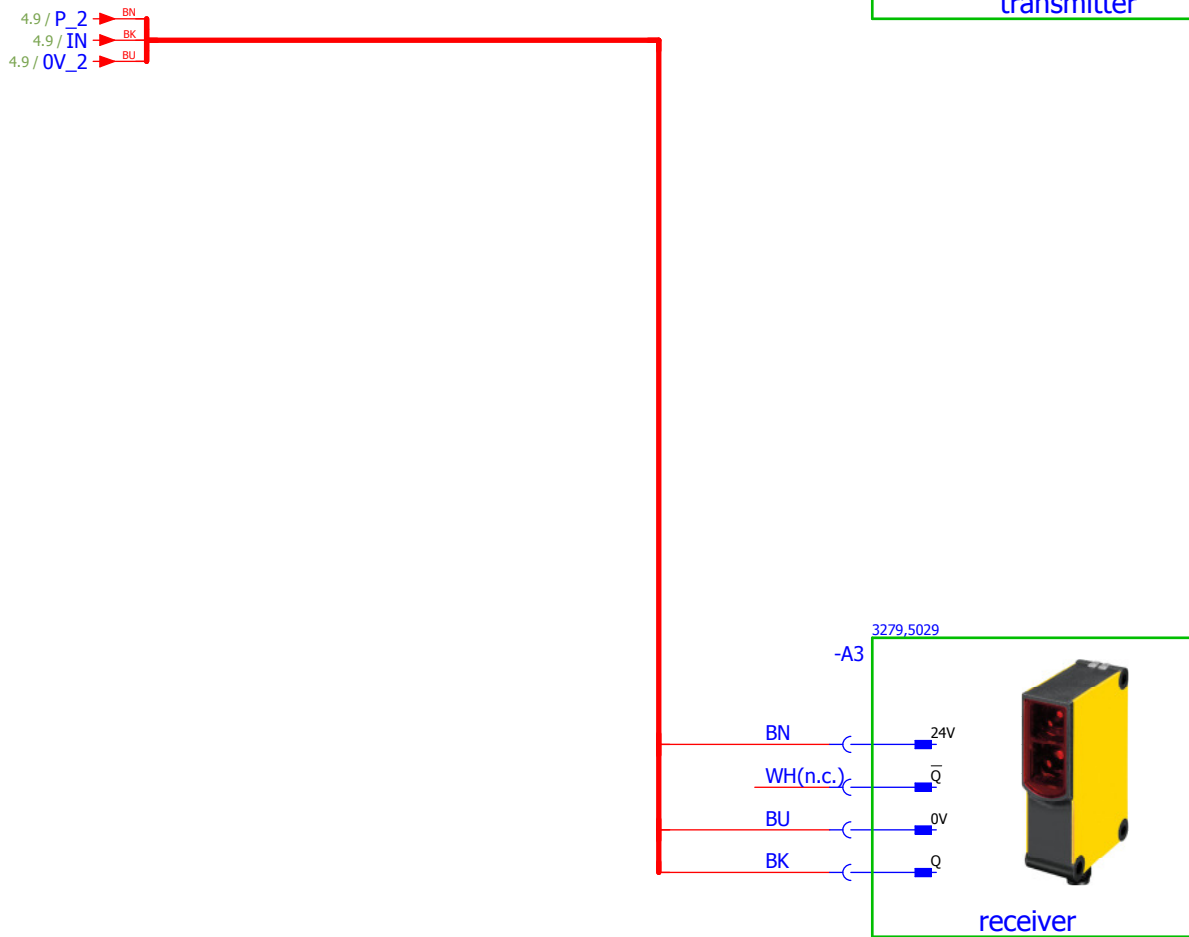
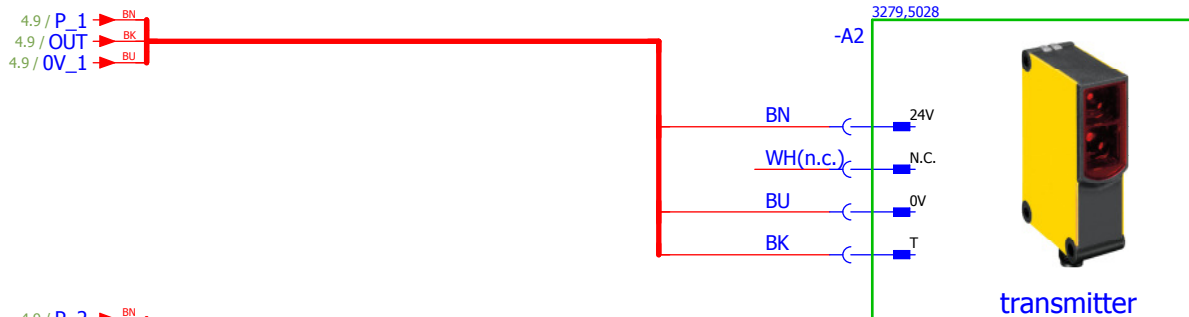
03	08.06.15	5K15503	gp	21.01.2013
02	25.11.14	5K14527	gp	Probst
01	17.06.14	5K14510	gp	
Version	Date	Modification project	Name	00 5K13500

MicroDrive
ACCESS XXL/XL2-(UL)USA



barrier controller
input/output

5526,0051



(option)

03	08.06.15	5K15503	gp	21.01.2013
02	25.11.14	5K14527	gp	Probst
01	17.06.14	5K14510	gp	
Version	Date	Modification project	Name	00 5K13500

MicroDrive
ACCESS XXL/XL2-(UL)USA



safety-light barriers Option
LS01

5526,0051